

SFS

STATIONARY WELDING FUME FILTER

The SFS is a wall-mounted filter unit that provides filtration for use with one extraction arm and fan. The SFS features a round filter cartridge. This filter cartridge is provided with a precoat to extend the lifespan and the efficiency of the filter.

The SFS is fitted with a *RoboClean* system for automatic sectionwise cleaning of the filter cartridge by (externally supplied) compressed air. The dust and dirt particles end up in the dust bin. The SFS comes with an external pre filter (spark arrester) in a separate box. The SFS needs to be connected to a control box.



APPLICATIONS

The SFS is intended to be used for the following applications:

- MIG-MAG/GMAW welding (annual use: >700 kg/1500 lbs)
- TIG welding
- FCAW welding (annual use: >700 kg/1500 lbs)
- stick/MMAW welding (annual use: >500 kg/1100 lbs)



Do **not** use the SFS for the following applications or in the following circumstances:

- arc-air gouging
- aluminium laser cutting
- oil mist
- heavy oil mist in welding fume
- extraction of aggressive fumes and gases (e.g. from acids, from alkaline, from soldering paste containing lithium)
- extraction of hot gases (more than 45°C/113°F continuously)
- grinding aluminum and magnesium
- flame spraying
- extraction of cement, saw dust, wood dust etc.
- sucking cigarettes, cigars, oiled tissues and other burning particles, objects and acids
- explosive environments or explosive substances/gases



SPECIFICATIONS

Physical dimensions and properties

Material	polypropylene
Colour:	
• Housing	• grey RAL 7024
• Strip	• yellow RAL 1028
Weight (net)	
• SFS	40 kg (88 lbs)
• prefilter box	10 kg (22 lbs)
Supply cable (loose)	11 m (36 ft); without plug
Contents dust bin	18 litres

FILTERS

Material:	
• Pre filter	• aluminium
• DuraFilter FCC-30	• cellulose/polyester fibres + polyurethane + metal

Filter surface area:	
• Pre filter	• 0,14 m ² (1.5 ft ²)
• DuraFilter FCC-30	• 30 m ² (325 ft ²)
Treatment	SurfacePlus precoat on DuraFilter FCC-30
Efficiency:	
• Pre filter	• 65% < 80%
• DuraFilter FCC-30	• >99,9%
Filter class:	
• Pre filter	• G2 according to DIN EN 779
• DuraFilter FCC-30	• M according to NEN EN IEC 60335-2-69
RoboClean filter cleaning system	
Required compressed air quality	dry and oil-free according to ISO 8573-3 class 6
Required pressure	4-5 bar (1600-2000" WG)
Compressed air connection	quick connect coupling ¼ in.
Compressed air consumption	max. 60 nl/min. (depending on the degree of saturation of the filter)
Duration off-line cleaning cycle	approx. 1 hour
Performance	
Airflow	max. 1100 m ³ /h (647 CFM)
Electrical data	
Power consumption	36 W
Connection voltage	24 V AC
Protection class	IP 40
Ambient conditions	
Operating temperature:	
• min.	• 5°C (41°F)
• nom.	• 20°C (68°F)
• max.	• 45°C (113°F)
Max. relative humidity	80%
Outdoor use allowed	no
Storage conditions	• 5-45°C (41-113°F) • relative humidity max. 80%

■ Product combinations	
CB (compulsary)	control box
FAN-28/42	extraction fan
T-Flex, Flex-2, (Ultra)Flex-3/4, UltraFlex-4/LowCeiling	extraction arm
■ Scope of supply	
Filter unit - Supply cable 11 m - Mounting plate - Prefilter box	
■ Order information	
Article number	7445000000
Number/package	1
■ Shipping data	
Gross weight	56 kg (123.5 lbs)
Packing dimensions	120 x 80 x 120 cm (47.2 x 31.5 x 47.2 in.)
Max. number/pallet	2
Harmonized Tariff Code	8421.39.2090
Country of origin	the Netherlands

APPROVALS/CERTIFICATES



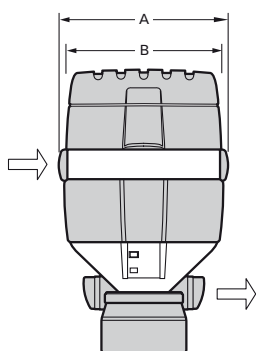
Directive 2011/65/EC (RoHS)
valid as of 8 June 2011

FEATURES

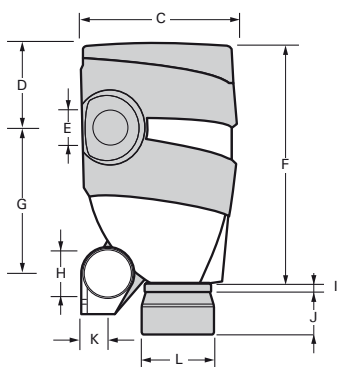
RoboClean automatic filter
cleaning system



DIMENSIONS

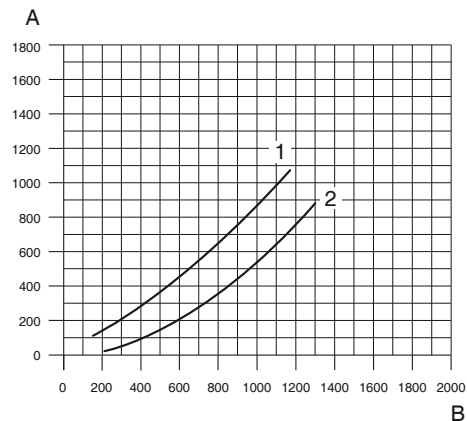


	mm	inch
A	720	28.3
B	670	26.4



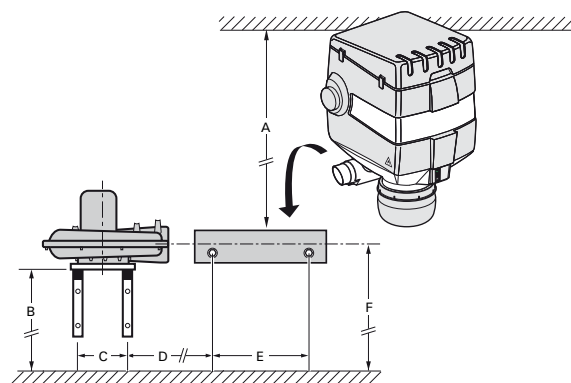
	mm	inch
C	660	26.0
D	360	14.2
E	Ø 160	Ø 6.30
F	920	36.2
G	515	20.3
H	Ø 160	Ø 6.30
I	45	1.77
J	175	6.9
K	130	5.12
L	Ø 330	Ø 13.0

PRESSURE DROP



B = Airflow (m³/h)
A = Static pressure (Pa)
1 = Clogged filter
2 = Clean filter

MOUNTING MEASUREMENTS



	mm	inch
A	850	3 ft.
B	2600	8.5 ft
C	230	9.06 in.
D	1200-1350	47-53 in.
E	290	11.42 in.
F	2745	9 ft.

Product type	SFS
Article no.	7445000000
Product category	Stationary welding fume filters
Version	080212/F

Always check the latest version on www.plymovent.com.