

MFE

MOBILE WELDING FUME EXTRACTOR

The MFE is a mobile filter unit with integrated fan that provides extraction and filtration for use with a flexible extraction arm or extraction hose. The MFE features an aluminium spark arrester and an industrial electrostatic filter consisting of two separate sections (ionizer and collector). The MFE is eminently suitable for the extraction of welding fumes originating from oil treated steel. The open filter structure ensures a constant suction level. The aluminium filter is easy to clean and the filters do not have to be replaced. Using the convenient slide system the filter can be removed quickly and easily and, because of regular maintenance, the efficiency of the filter remains high. Thanks to the four transport wheels (two of which are swivel casters), the MFE is extremely suitable to be used in relatively small facilities or near sources of pollution without a fixed location. Extraction arm/hose to be ordered separately.



APPLICATIONS

The MFE is intended to be used for the following applications:

- MIG-MAG/GMAW welding
- TIG welding
- FCAW welding
- stick/MMAW welding



Do **not** use the MFE for the following applications or in the following circumstances:

- arc-air gouging
- aluminium laser cutting
- oil mist
- heavy oil mist in welding fume
- extraction of aggressive fumes and gases (e.g. from acids, from alkaline, from soldering paste containing lithium)
- extraction of hot gases (more than 45°C/113°F continuously)
- grinding aluminium and magnesium
- flame spraying
- extraction of cement, saw dust, wood dust etc.
- sucking cigarettes, cigars, oiled tissues and other burning particles, objects and acids
- explosive environments or explosive substances/gases



SPECIFICATIONS

Physical dimensions and properties



Material housing	polypropylene
Colour:	
• filter cover and control panel cover	• yellow RAL 1028
• base	• grey RAL 7024
Weight (net)	112 kg (247 lbs)
Supply cable	6 m (20 ft) without plug

Filters



Material:	
• pre filter SAF	• aluminium
• ionizer	• aluminium
• collector	• aluminium
Filter surface area:	
• pre filter SAF	• 0,2 m ² (2.15 ft ²)
• collector	• 14,2 m ² (152.8 ft ²)

Efficiency:	
• pre filter SAF	• 65% < 80%
• collector	• up to 99%
Filter class:	
• pre filter SAF	• G2 according DIN EN 779
Performance	
Fan type	radial
Unrestricted airflow	2400 m ³ /h (1413 CFM)
Net extraction capacity	1300 m ³ /h (765 CFM)
Speed	2800 rpm
Noise level	69 dB(A) according to ISO 3746
Electrical data	
Power consumption	0,75 kW (1 HP)
Available connection voltages	115V/1~/50Hz; 230V/1~/50Hz; 230V/3~/50Hz; 400V/3~/50Hz; 400V/3~/60Hz; 230V/3~/60Hz; 230V/1~/60Hz
Ionization voltage	+10 kV
Collector voltage	+ 5 kV
Insulation class	F
Protection class	IP 50
Ambient conditions	
Operating temperature:	
• min.	• 5°C (41°F)
• nom.	• 20°C (68°F)
• max.	• 45°C (113°F)
Max. relative humidity	80%
Outdoor use allowed	no
Storage conditions	• 5-45°C (41-113°F) • relative humidity max. 80%
Product combinations	
Flex-3/4, UltraFlex-3/4	extraction arm
SUS-5/203	extraction hose
Available options	
SCF	activated carbon filter
Scope of supply	
Mobile unit - Hose 65 cm - Hardware	

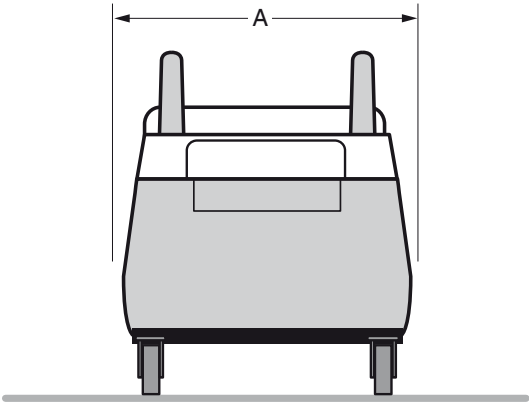
■ Order information	
Article numbers:	<ul style="list-style-type: none"> • 7038400000 • 7032400000 • 7033400000 • 7035400000 • 7035420000 • 7033420000 • 7033421000
	<ul style="list-style-type: none"> • MFE 115V/1~/50Hz • MFE 230V/1~/50Hz • MFE 230V/3~/50Hz • MFE 400V/3~/50Hz • MFE 400V/3~/60Hz • MFE 230V/3~/60Hz • MFE 230V/1~/60Hz
Number/package	1
■ Shipping data	
Gross weight (incl. pallet)	127 kg (280 lbs)
Packing dimensions	120 x 80 x 105 cm (47.2 x 31.5 x 41.3 in.)
Max. number/pallet	1
Harmonized Tariff Code	8421.39.2090
Country of origin	the Netherlands

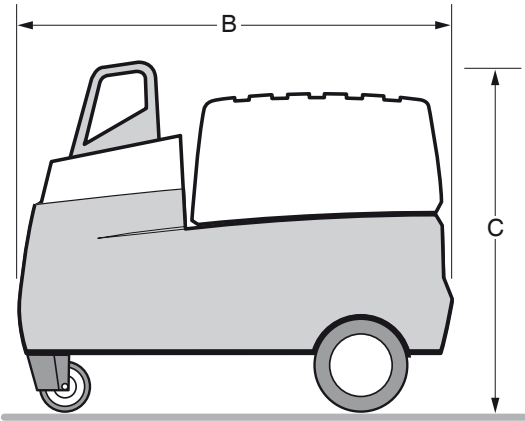
■ Approvals/certificates	
	
	Directive 2011/65/EC (RoHS) valid as of 8 June 2011

FEATURES

Two-stage industrial electrostatic filter	
High voltage indicator light	

DIMENSIONS

							
	<table border="1"> <thead> <tr> <th></th> <th>mm</th> <th>inch</th> </tr> </thead> <tbody> <tr> <td>A</td> <td>810</td> <td>31.9</td> </tr> </tbody> </table>		mm	inch	A	810	31.9
	mm	inch					
A	810	31.9					

										
	<table border="1"> <thead> <tr> <th></th> <th>mm</th> <th>inch</th> </tr> </thead> <tbody> <tr> <td>B</td> <td>1210</td> <td>47.6</td> </tr> <tr> <td>C</td> <td>900</td> <td>35.4</td> </tr> </tbody> </table>		mm	inch	B	1210	47.6	C	900	35.4
	mm	inch								
B	1210	47.6								
C	900	35.4								

Product type	MFE
Article no.	refer to order information
Product category	portable/mobile welding fume extractors
Version	080212/B

Always check the latest version on www.plymovent.com.